



US007866259B2

(12) **United States Patent**  
**Zaghloul et al.**

(10) **Patent No.:** **US 7,866,259 B2**  
(45) **Date of Patent:** **Jan. 11, 2011**

(54) **CENTRIFUGAL FOOD DEGREASER**

(75) Inventors: **Hatim Zaghloul**, Calgary (CA);  
**Mohammed Mali**, Calgary (CA);  
**Hussein Desouki**, Calgary (CA); **Sisso El-Hamamsy**, Calgary (CA)

(73) Assignee: **Innovative Products for Life Inc.**,  
Calgary (CA)

(\*) Notice: Subject to any disclaimer, the term of this patent is extended or adjusted under 35 U.S.C. 154(b) by 1275 days.

(21) Appl. No.: **11/306,987**

(22) Filed: **Jan. 18, 2006**

(65) **Prior Publication Data**

US 2007/0163450 A1 Jul. 19, 2007

(51) **Int. Cl.**  
**A47J 43/00** (2006.01)

(52) **U.S. Cl.** ..... **99/495**; 99/511; 210/360.1; 210/380.1; 494/36; 494/44; 494/56

(58) **Field of Classification Search** ..... 99/510–513, 99/403–418, 495, 352–355; 210/360.1, 380.1; 494/36, 43, 56–60, 83, 84; 134/157–162; 366/228, 279

See application file for complete search history.

(56) **References Cited**

**U.S. PATENT DOCUMENTS**

2,302,138 A \* 11/1942 Nicholson ..... 99/512  
3,200,737 A \* 8/1965 Ferenc ..... 99/355  
4,114,286 A 9/1978 Bingham  
4,189,850 A \* 2/1980 Dieterich et al. .... 34/58

4,194,697 A \* 3/1980 Lembeck ..... 241/92  
4,273,033 A \* 6/1981 Hice ..... 99/349  
4,517,082 A \* 5/1985 Prudhomme ..... 210/117  
4,591,434 A \* 5/1986 Prudhomme ..... 210/117  
4,702,162 A \* 10/1987 Sontheimer et al. .... 99/495  
4,873,820 A \* 10/1989 Martorell ..... 56/340.1  
5,010,805 A 4/1991 Ferrara  
5,027,697 A \* 7/1991 De Longhi ..... 99/409  
5,176,825 A \* 1/1993 Hadjis et al. .... 210/259  
5,223,137 A \* 6/1993 Hattori et al. .... 210/368  
5,230,281 A \* 7/1993 Wireman et al. .... 99/483  
5,317,964 A 6/1994 Prudhomme  
5,417,152 A \* 5/1995 Harrison ..... 99/492  
5,490,453 A 2/1996 Mackay  
5,749,285 A \* 5/1998 Dornier et al. .... 99/348  
6,135,019 A 10/2000 Chou  
6,192,068 B1 \* 2/2001 Fattouche et al. .... 375/130  
6,412,401 B1 7/2002 Mariotti  
7,222,567 B2 \* 5/2007 Schrader et al. .... 100/213

\* cited by examiner

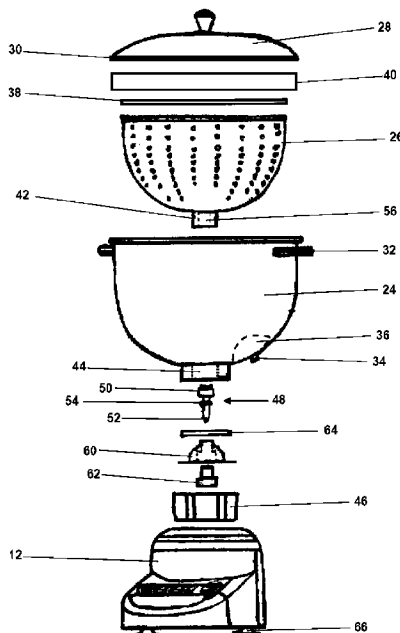
*Primary Examiner*—Mark H Paschall

(74) *Attorney, Agent, or Firm*—Law Office of Marc D. Machtinger, Ltd.

(57) **ABSTRACT**

An apparatus for use with a food processor base and a method for using the same. The food processor base includes a seat, a drive shaft and a motor. The drive shaft is rotated by the motor. The apparatus includes an outer bowl, a cover for the outer bowl, and a perforated inner bowl. The outer bowl may include a connector for being seated on the seat of the food processor base. The inner bowl is positioned within the outer bowl and is connectable to the drive shaft of the food processor base for rotation of the inner perforated bowl within the outer bowl. The inner perforated bowl has a one to one rotation with the drive shaft.

**22 Claims, 7 Drawing Sheets**



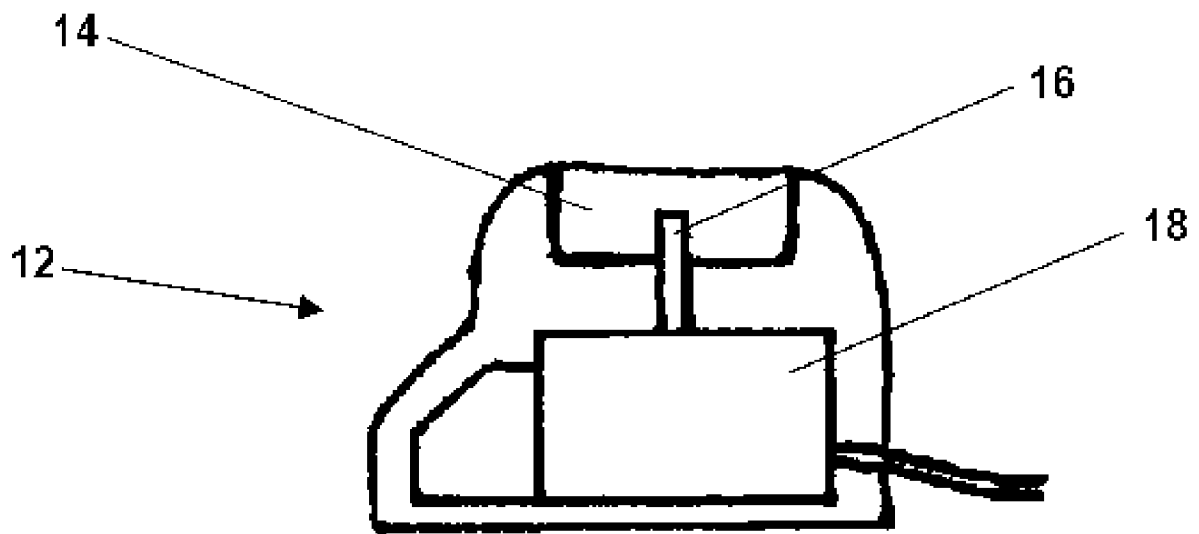


FIG. 1 (PRIOR ART)

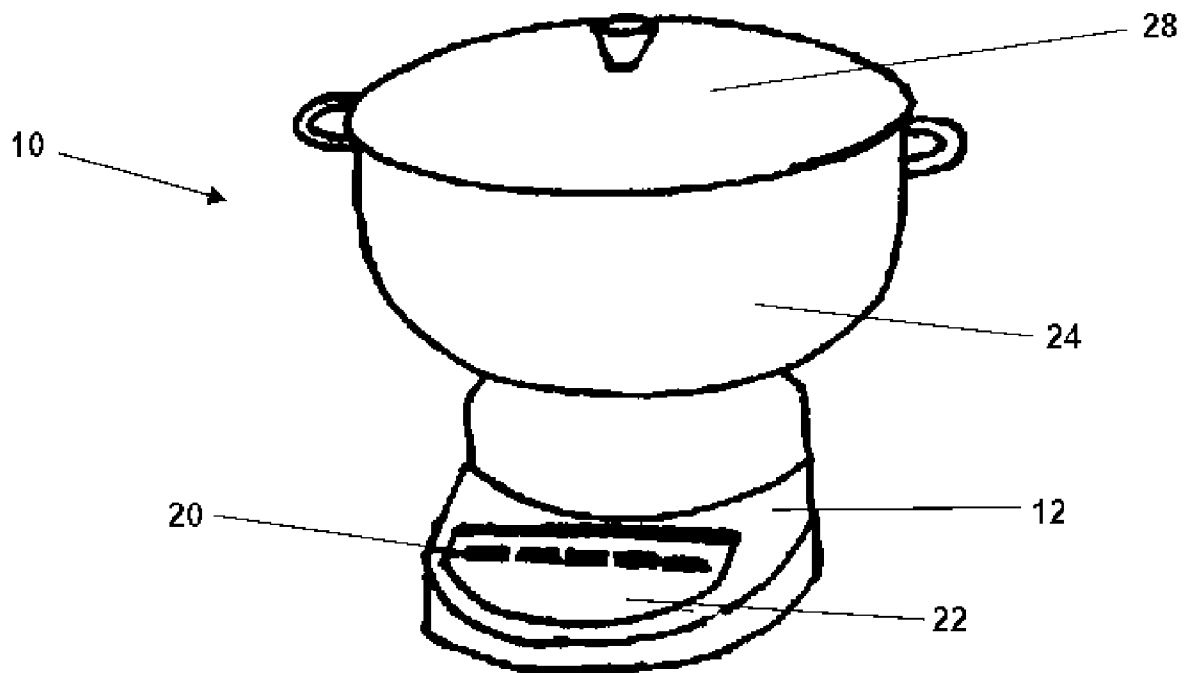


FIG. 2

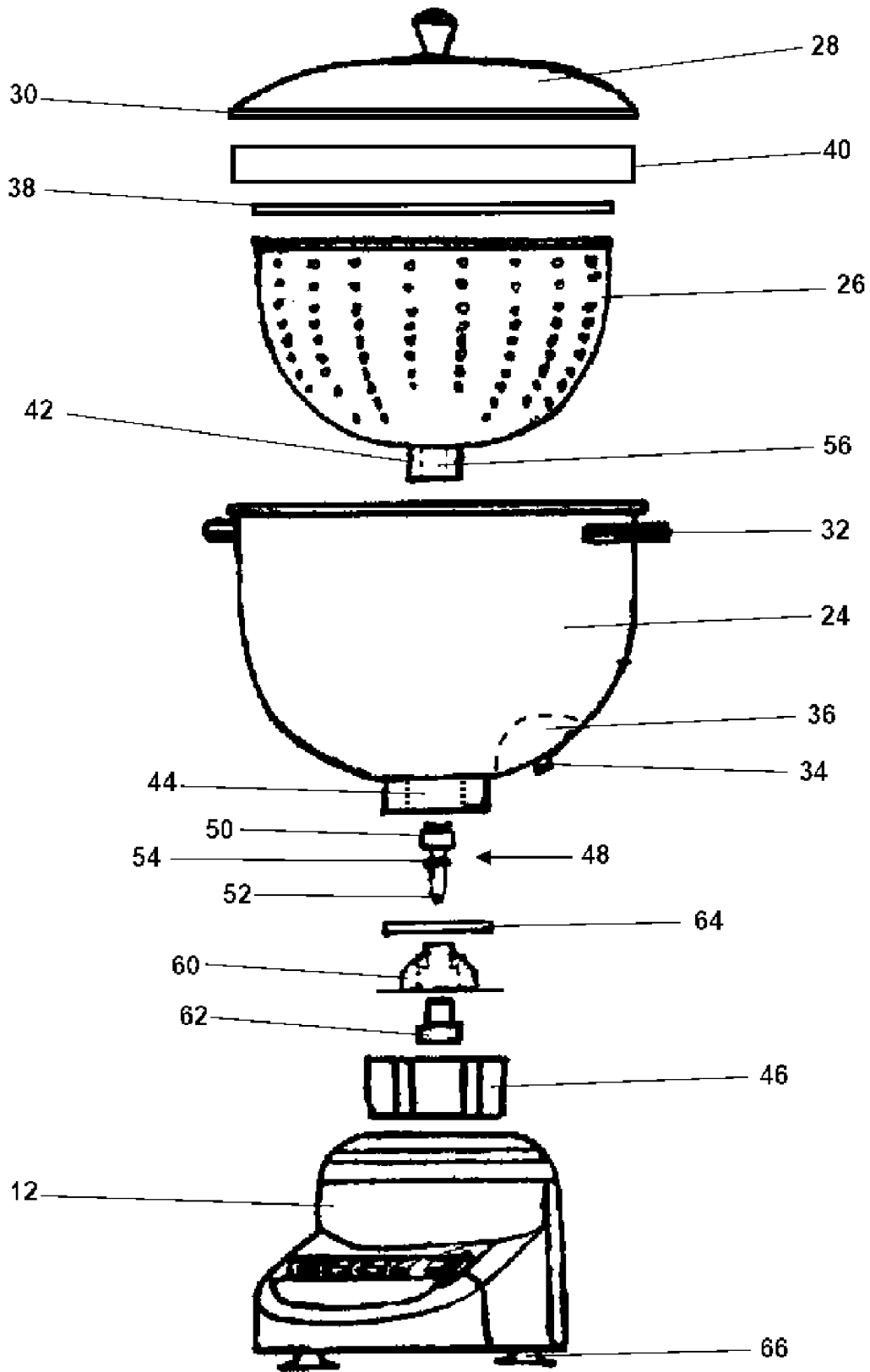


FIG. 3

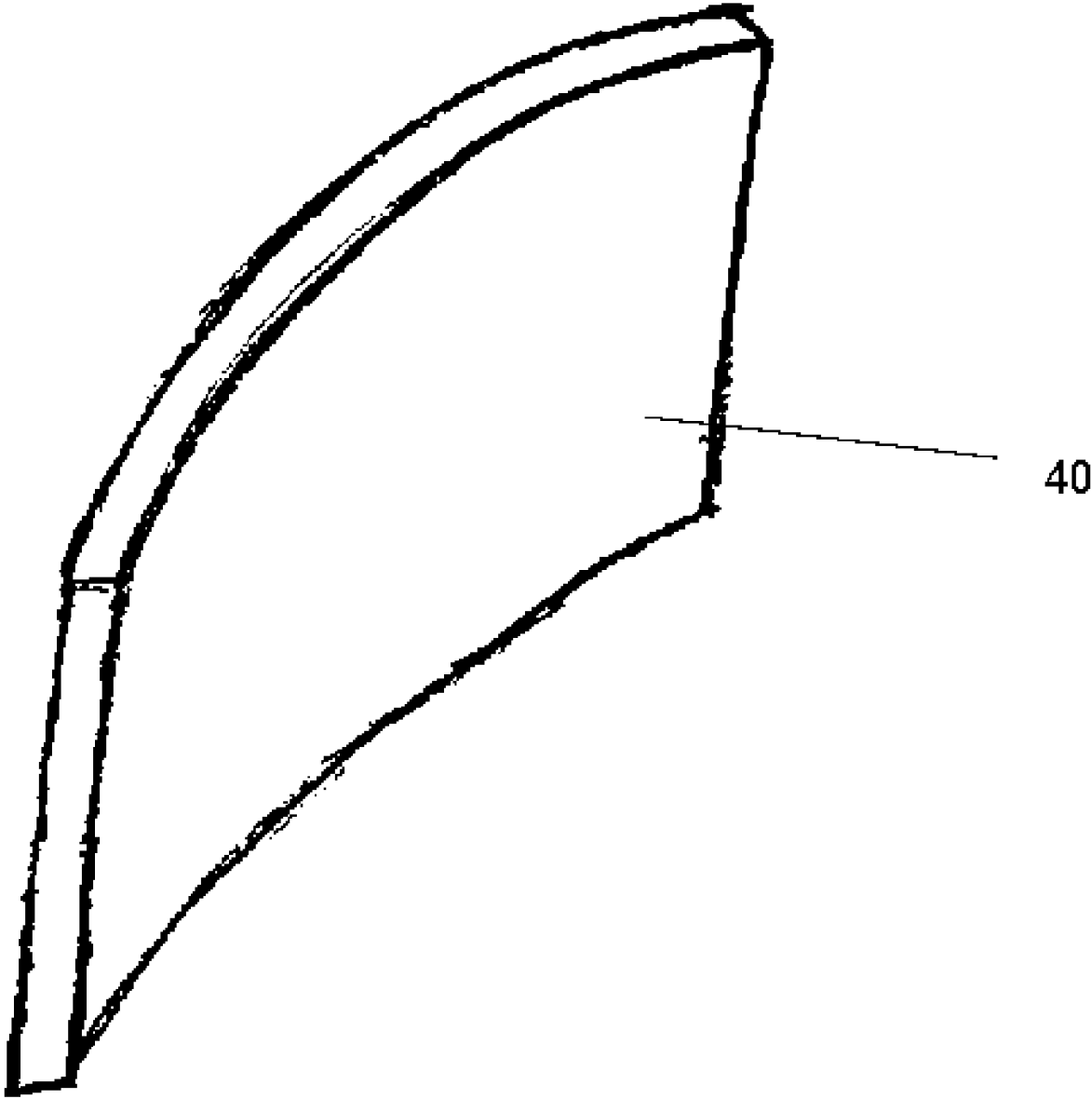


FIG. 4

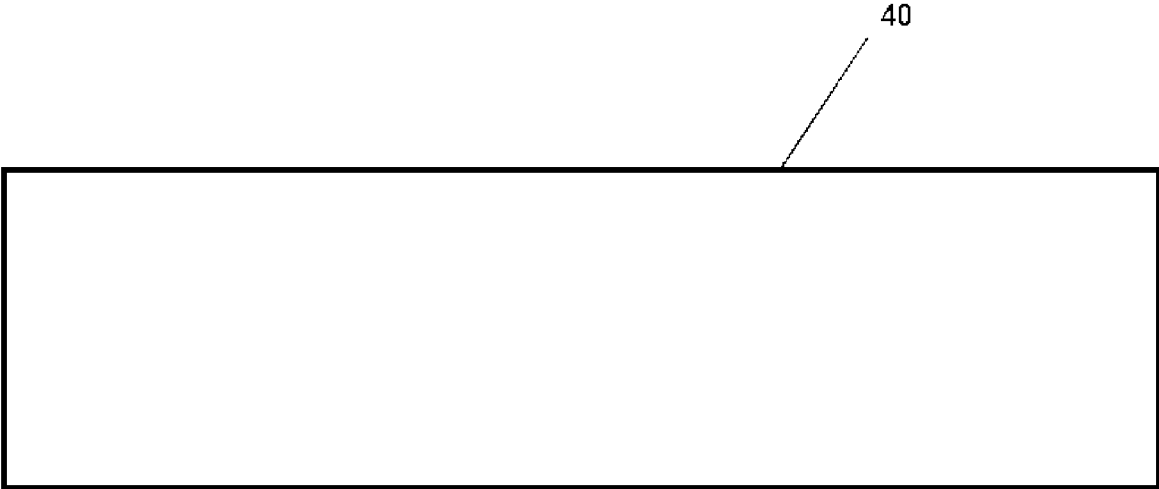
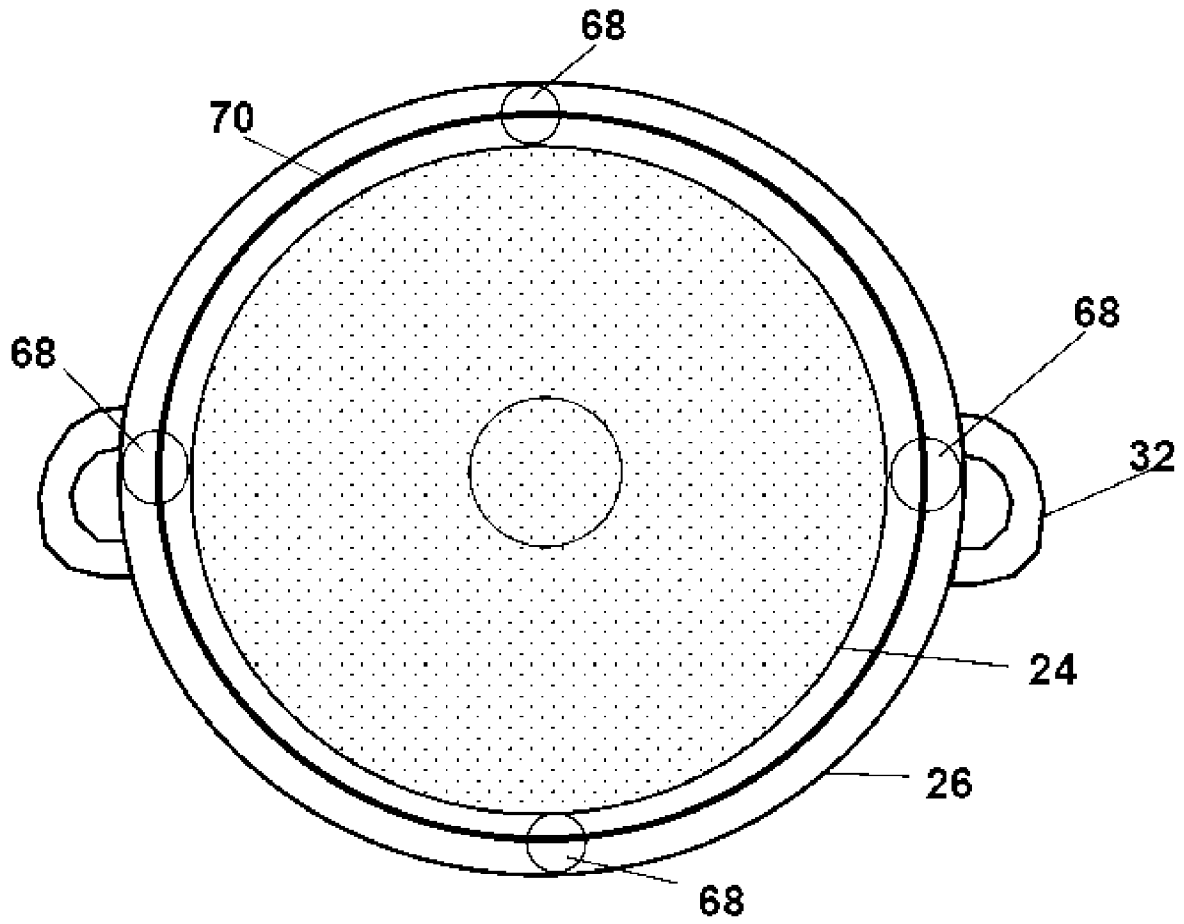
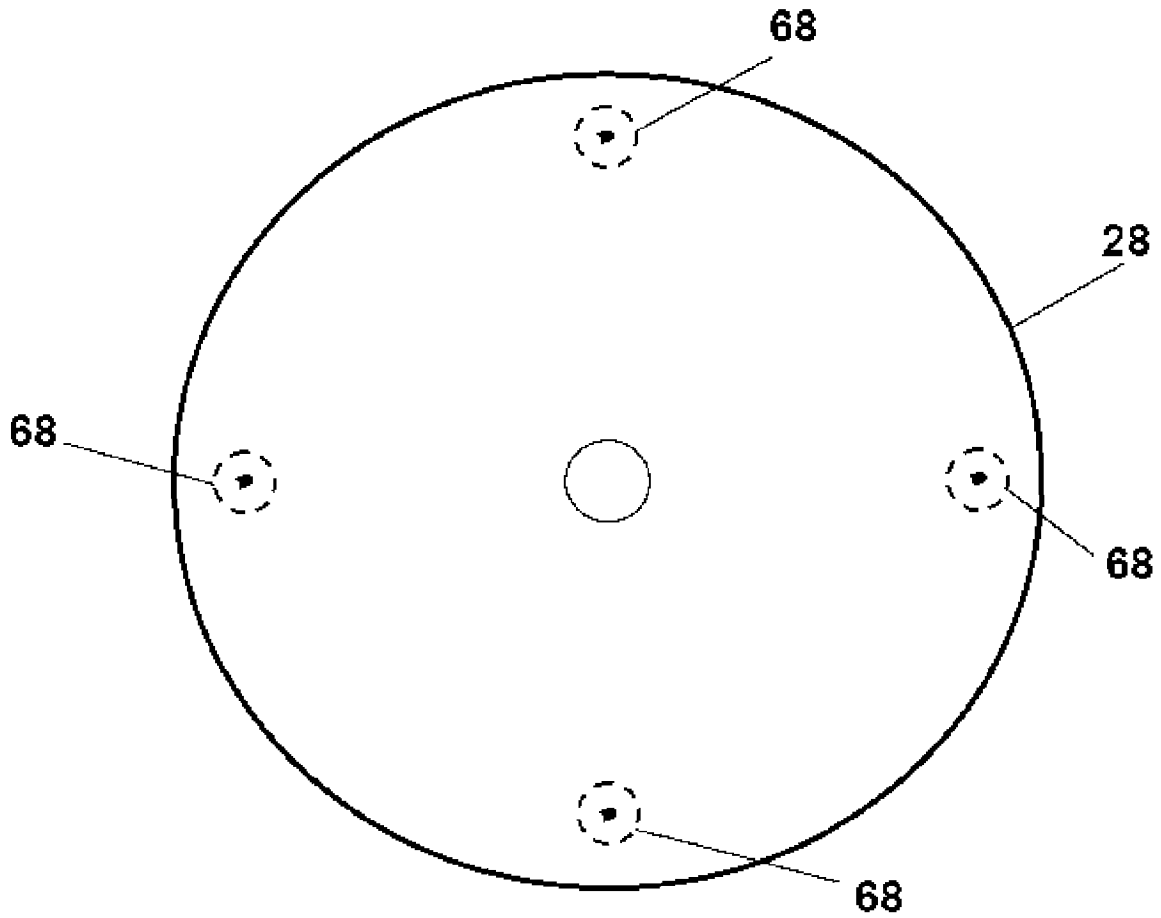


FIG. 5



**FIG. 6**



**FIG. 7**

## CENTRIFUGAL FOOD DEGREASER

## BACKGROUND OF THE INVENTION

It is well known that eating foods with less oil and grease will reduce fat and caloric intakes. U.S. Pat. No. 5,490,453 to Mackay discloses an appliance provided with a spinning rotatable basket within an outer drum to centrifugally extract fat from foods. Mackay uses a self centering central chamber to reduce vibrations. In other devices that are attachments for existing blenders, gears are used to reduce the speed, and wheels are used to support the inner basket. The devices described in the prior art are more complicated than is necessary. What is needed is a simplified, more economical apparatus for removing oil from foods.

## SUMMARY OF THE INVENTION

According to an aspect of the invention, there is provided an apparatus for use with a food processor base, and a method of using it to remove oil from food. The food processor base includes a seat, a drive shaft and a motor, where the drive shaft is rotated by the motor. The apparatus comprises an outer bowl, the outer bowl being removably seated on the seat of the food processor base, and a perforated inner bowl within the outer bowl. The inner bowl is connectable to the drive shaft of the food processor base for rotation of the inner bowl within the outer bowl, the inner bowl having a one to one rotation with the drive shaft.

The inner bowl may comprise an insert extending from the bottom of the inner bowl, and the outer bowl may comprise an insert receptacle for receiving the insert. A cover may be provided for the outer bowl. A cover may be provided for the inner bowl. A lip may be introduced on the outer bowl to introduce some friction and centering for the inner bowl and to prevent the oil from spilling out of the outer bowl. A shaft extension may be included to connect the drive shaft and the inner bowl, the shaft extension being attached to the inner perforated bowl. The outer bowl may comprise a drain for draining fluid within the outer bowl, and a filter for filtering the fluid to be drained. Vibration dampeners, such as rubber suction cups, may be positioned between the food processor base and a work surface. A connector separable from the outer bowl for connecting the outer bowl to the seat of the food processor base may be provided.

According to a further aspect of the invention there is provided a kit containing the apparatus and one or more connectors sized to fit different sized seats of food processor bases.

Other aspects of the invention will be apparent from a reading of the description and the claims, which are incorporated here by reference.

## BRIEF DESCRIPTION OF THE DRAWINGS

There will now be described preferred embodiments of the invention, for the purpose of illustration only, by reference to the drawings, in which:

FIG. 1 is a sectional view of a conventional food processor base;

FIG. 2 is a perspective view of a degreaser on a food processor base;

FIG. 3 is an exploded view of the degreaser in FIG. 2;

FIG. 4 is a perspective view of a section of a removable lip;

FIG. 5 is a side view of the removable lip of FIG. 4;

FIG. 6 is a top view of centering wheels attached to a centering ring; and

FIG. 7 is a top view of the outer lid with centering wheels attached to the lid.

## DETAILED DESCRIPTION OF PREFERRED EMBODIMENTS

In the claims, the word "comprising" is used in its inclusive sense and does not exclude other elements being present. The term "food processor" refers to any small appliance that includes a base, a motor, and a drive shaft for rotating a body, such as a blade attachment or a bowl. The term "drive shaft" refers to the totality of the mechanism moved by the motor and used to rotate a body, such as a blade attachment or a bowl, and includes a shaft extension for connecting the drive shaft to the rotating body. The drive shaft is not limited to the type of drive shaft emanating from a base, but may include a drive designed to receive a shaft extension inserted into the base and rotated by the motor, for example, by fitting the shaft extension ending in a gear into another gear or series of gears within a drive located within the base.

Shown in FIG. 1 is a conventional food processor base 12 that includes a seat 14 and a drive shaft 16 that is rotated by an electric motor 18, such as a 400 W motor. As shown in FIG. 1, the drive shaft 16 may emanate from the base in conventional fashion to be received by a shaft extension. Alternatively, the drive shaft may be designed to receive a shaft extension. If the drive shaft is of this type, the drive shaft may include a drive or drive stem and a shaft extension that together form a drive shaft, and the drive may be located within the base so as not to protrude beyond the bottom of the seat of the base. The shaft extension may fit into the drive in various ways. For example, the shaft extension may end in a gear that fits within a gear or series of gears within the drive. Alternatively, the shaft extension may terminate in a hexagonal shape or other shape that fits within a correspondingly shaped recess within a drive stem. Other forms of connecting a shaft extension to a drive may be used, and are known to those skilled in the art.

Referring to FIG. 2, there is shown an apparatus 10 for removing oil from food mounted on a food processor base 12. Apparatus 10 is designed to be adapted to food processor bases that are purchased from other vendors allowing apparatus 10 to be sold as an attachment for a food processor base already owned by the purchaser, such as a blender base. The speed is typically controlled by buttons 20 on a panel 22, and may have, for example, five speeds. If base 12 is sold with apparatus 10, it may also be desirable to include other implements, such as traditional food processing attachments and to introduce special speeds, or duty-cycles, for the separation of oil from special foods.

Referring to FIG. 3, apparatus 10 includes an outer bowl 24 and a perforated inner bowl 26. An outer lid 28 over outer bowl 24 is used to prevent oil extracted from the food within to escape outer bowl 24. Outer lid 28 may include a rubber O-ring 30 positioned on the contact surface between outer lid 28 and outer bowl 24 to provide a better seal against extracted oil. Outer lid 28 may be designed to act as a measuring device. Outer bowl 24 has handles 32, while outer lid 28 typically has a handle, such as a knob attached by a screw, for easy removal of the outer lid 28 from the outer bowl 24. Outer bowl 24 may also comprise a drain 34 for draining collected fluid from within outer bowl 24. A filter 36 may also be provided, either within the outer bowl 24, or outside the outer bowl 24 on the other side of the drain 34. A filter 36 is useful for filtering the fluid being drained so that the fluid, such as oil, may be easily re-used.

An inner lid 38 may fit over inner bowl 26. The inner lid 38 is used to prevent food from escaping the inner bowl 26 and becoming lodged between the inner bowl 26 and the outer bowl 24 when the inner bowl 26 is being rotated. The inner bowl 26 may also have a handle (not shown), such as a bail-type handle, that fits within the inner bowl 26 during use and lifts up when removal of the inner bowl 26 is desired.

3

Preferably, a removable lip **40** may fit on the outer bowl or on the inner bowl filling the gap between the top of the inner bowl **26** and the walls of the outer bowl **24**. If this approach is used, an inner lid may not be required, since the removable lip **40** would serve dual functions, providing friction with the inner bowl **26** to regulate the speed of the motor and preventing food from spilling over the sides of the inner bowl **26** or otherwise becoming lodged between the inner bowl **26** and the outer bowl **24**. As shown in FIGS. **4** and **5**, the removable lip **40** is preferably rectangular in cross-section, with a height greater than the width of the cross-section of the removable lip **40**. The removable lip **40** may be sized to press fit against the walls of the outer bowl **24** or to fit snugly around the top of the inner bowl **26**. The removable lip **40** may also fit between the inner lid **38** and the outer lid **28** to introduce friction with the inner lid **38** to regulate the speed of the motor, although this is not preferred.

Inner bowl **26** is smaller than outer bowl **24**, and is adapted to fit comfortably within outer bowl **24**. The inner bowl **26** may have a stabilizing insert **42**. The insert **42** may fit into an insert receptacle **44** in outer bowl **24** for added stability, provided the insert receptacle **44** does not prevent the inner bowl **26** from rotating freely within the outer bowl **24**. Outer bowl **24** typically attaches to the food processor base by using a connector **46**, such as a removable base, that attaches to the outer bowl **24**, for example, by threading onto threads on the bottom of the outer bowl **24**. The connector **46** then clips in, slots in, or otherwise locks into place on the seat of the food processor base **12**.

Because the apparatus is preferably used on a separately purchased food processor base **12**, connector **46** may be similar to bases that are used with conventional blenders or the like. It may be necessary, however, to provide different sizes of connectors **46** that are sized to different sized seats of existing food processors such as blenders, and a kit may be sold containing one or more adaptors (not shown) that would enable a connector from an existing food processor base to connect to a standard apparatus **10**. Alternatively, apparatus **10** may be sold with a connector **46** specific to a particular model or type of food processor, allowing consumers to purchase the appropriate apparatus/connector combination for their needs.

In the embodiment shown in FIG. **3**, inner bowl **26** is connected to a drive by a shaft extension **48**, and the drive and shaft extension **48** together form the drive shaft. Shaft extension **48** has a top **50** and a bottom **52**, and preferably has a V-ring seal **54**. Typically, the shaft extension **48** connects securely to inner bowl **26** by inserting the top **50** of the shaft extension **48** into a socket **56** in the insert **42** and fitting the shaft extension bottom **52** into a drive within the base **12**. It should be understood that where the apparatus is to be used with a conventional base as shown in FIG. **1**, a shaft extension may have a top for fitting into a socket in the inner bowl and have a bottom having a socket for receiving a drive shaft emanating from the base.

Alternatively, the inner bowl **26** may have a protrusion (not shown) extending beyond the insert **42** for fitting into a socket in the top of the shaft extension, and the shaft extension may either have another socket in the bottom of the shaft extension or else fit into a socket or series of gears or otherwise fit into the base. However, having a protrusion extending beyond the insert **42** is not preferred, since it is preferred to have the bottom of the inner bowl as flat as possible for setting on a work surface when the inner bowl **26** is removed from the outer bowl **24**.

It should be understood that in a similar fashion to providing adaptors or apparatus/connector combinations specific to various food processor bases, it would also be possible to provide an adaptor (not shown) or shaft extension specific to a particular food processor base and that can be used with a

4

standard apparatus. Likewise, a combination apparatus/connector/shaft extension could be sold specific to a particular model or type of food processor, allowing consumers to purchase the appropriate apparatus/connector/shaft extension combination for their needs.

The inner bowl **26** could have a socket located wholly within the base of the inner bowl, such as by thickening the base of the inner bowl **26** and milling in a socket having a shape, such as a hexagon, for receiving the top of the shaft extension, if even greater stability is desired when setting the inner bowl **26** on a work surface. However, the inner bowl **26** with the insert **42** as shown has proven suitable, and provides added stability when the inner bowl **26** is in use.

In a preferred embodiment, the apparatus **10** may be assembled in the following manner. A fitting **60** having a sleeve **62** is placed into the connector **46**. The fitting **60** and the sleeve **62** may be of unitary construction, or the sleeve **62** may insert into the fitting **60**. The fitting **60** is typically made out of plastic, but could be made out of any suitable material. The sleeve **62** is typically made out of brass, but could be made of any suitable material. Once the fitting **60** and sleeve **62** are placed into the connector **46**, a gasket **64**, such as a flat rubber ring, is placed onto the fitting **60**. The shaft extension **48** may then be inserted into the sleeve **62** and pass through the sleeve **62** and connector **46** to be received by a drive in the base **12**. Alternatively, if the shaft extension is of a type that receives a drive shaft emanating from the base, the shaft extension may be inserted into a sleeve but may not pass all the way through the sleeve and the connector. Preferably, the shaft extension **48** has a V-ring seal **54** that provides additional sealing between the sleeve **62** and the shaft extension **48**. The fitting **60**, the sleeve **62**, and the gasket **64** are held securely in place when the connector **46** is threaded onto outer bowl **24**.

It would be possible to make the fitting **60**, sleeve **62**, and shaft extension **48** of unitary construction, and simply place the combined piece into connector **46**, insert gasket **64**, and thread or otherwise attach connector **46** to outer bowl **24**. If this approach were adopted, it would be necessary to ensure that the shaft extension was still able to rotate freely, since the fitting would be held firmly in place between the connector and the outer bowl pressing against the rubber gasket. The embodiment shown in FIG. **3** is preferred since the shaft extension **48** and the fitting **60** and sleeve **62** can be easily separated for cleaning and are easier to manufacture. It would also be possible to make the fitting **60**, sleeve **62**, and shaft extension **48** be of unitary construction with the outer bowl **24**, in which case the outer bowl **24** and the rotation transfer mechanism defined by the fitting **60**, sleeve **62**, and shaft extension **48** would be a single piece to attach to the connector **46**, with a gasket **64** pressed between the outer bowl **24** combination and the connector **46**. It would even be possible to make fitting **60**, sleeve **62**, shaft extension **48** and outer bowl **24** be of unitary construction with the connector **46**, in which case, no gasket **64** would be required, since the combination of the fitting **60**, sleeve **62**, shaft extension **48**, outer bowl **24**, and connector **46** would be fluid tight.

It should be understood that in the embodiment shown in FIG. **3**, inner bowl **26** attaches to the apparatus **10** primarily by receiving the top **50** of the shaft extension **48** into the socket **56** of the inner bowl, and as such, when the inner bowl **26** stops spinning, the inner bowl **26** may be easily removed by simply lifting out the inner bowl **26** from the outer bowl **24**.

This ability to lift the inner bowl **26** out of the outer bowl **24** quickly and easily is advantageous where the apparatus **10** is being used for extended periods of time for multiple batches of food requiring processing. In this way, the outer bowl **24** can remain locked into the base, while the inner bowl **26** can be easily removed and set on a work surface without dismantling the entire apparatus **10**, removing the contents of the

5

inner bowl 26 in a time-consuming fashion piece by piece, or lifting the entire apparatus 10 by the handles 30 and attempting to dump out the contents of the inner bowl 20, potentially pouring hot grease just removed from the food back onto the food or onto the person attempting to dump out the food.

As described, inner bowl 26 is able to rotate with respect to outer bowl 24, such that food may be placed within perforated inner bowl 26 which is then rotated to extract the oil or other fluid from the food. The fluid is caught by outer bowl 24 and settles to the bottom of outer bowl 24. Some problems that may occur during this process include oil leaking from apparatus 10, and vibrations that are mainly due to the weight of the food within inner bowl 26 not being evenly distributed.

The collected fluid is prevented from leaking out the top by O-ring 30 on cover 28. Oil is prevented from leaking out the bottom by V-ring seal 54, fitting 60, and gasket 64 placed between fitting 60 and the bottom of outer bowl 24.

To counteract vibrations, precision manufacturing may be employed to reduce vibrations not occurring from an unbalanced load, and vibration dampeners such as rubber suction cups 66 are placed on the bottom of base 12 that attach to a working surface, such as a counter top to reduce the vibrations due to the unbalanced load in inner bowl 26. The rubber acts to absorb some vibrations and the suction prevents base 12 from moving around because of the vibrations.

To further stabilize the inner bowl 26 within the outer bowl 24, there may be centering wheels 68 as shown in FIG. 6 and FIG. 7. In FIG. 6, the centering wheels 68 are attached to a centering ring 70. The centering ring 70 fits between the inner bowl 26 and the outer bowl 24, such that the wheels 68 prevent the inner bowl 26 from moving out of center with the outer bowl 24. Alternatively, as seen in FIG. 7, the centering wheels 68, shown in outline, may be attached to the outer lid 28 in conventional fashion, such as with spindles, screws, or other attachment that permits the centering wheels 68 to rotate while the centering wheels 68 fit between the inner bowl 26 and the outer bowl 24.

While suitable materials will be apparent to those skilled in the art, preferred materials include materials that are dishwasher safe, such as stainless steel or a plastic suitable to hold hot food and grease without being damaged and without leaching harmful substances into the food. In addition, different materials for different components may be present, such as hard plastic for connector 46, brass for sleeve 62, and stainless steel for outer bowl 24, inner bowl 26, outer lid 28, and inner lid 38.

Immaterial modifications may be made to the apparatus described here without departing from the invention.

What is claimed is:

1. An apparatus for use with a food processor base, the food processor base including a seat, a drive shaft and a motor, the drive shaft being connected for rotation by the motor, the apparatus comprising:

an outer bowl, the outer bowl having a removable base, the removable base being removable from the outer bowl, the removable base being configured to removably slot or clip into the seat of the food processor base and the outer bowl having a lid; and

a perforated inner bowl mounted for rotation within the outer bowl, the perforated inner bowl having a connector for receiving the drive shaft of the food processor base, the perforated inner bowl being removable from the outer bowl.

2. The apparatus of claim 1 further comprising a speed retarder disposed between the perforated inner bowl and the outer bowl to regulate the speed of the perforated inner bowl.

3. The apparatus of claim 2 further comprising a lid for the perforated inner bowl.

6

4. The apparatus of claim 1 in combination with the food processor base, wherein vibration dampeners are positioned on the food processor base.

5. A kit containing the apparatus of claim 1 and one or more removable bases for the outer bowl, the removable bases being sized to fit different sized seats of food processor bases.

6. The apparatus of claim 1, wherein the perforated inner bowl comprises an insert extending from the bottom of the perforated inner bowl, and the outer bowl comprises an insert receptacle for receiving the insert.

7. The apparatus of claim 1, wherein a shaft extension connects the drive shaft to the perforated inner bowl.

8. The apparatus of claim 2 in which the speed retarder comprises a removable lip placed between the perforated inner bowl and the outer bowl.

9. The apparatus of claim 1, wherein the outer bowl comprises a drain for draining fluid within the outer bowl.

10. The apparatus of claim 9, further comprising a filter for filtering fluid being drained through the drain in the outer bowl.

11. The apparatus of claim 1 in combination with the food processing base, the food processor base including the drive shaft and the motor, the drive shaft being rotatable by the motor; the outer bowl being seated on the seat; and a speed retarder disposed between the perforated inner bowl and the outer bowl to regulate the speed of the perforated inner bowl.

12. The apparatus of claim 11, further comprising a lid for the perforated inner bowl.

13. The apparatus of claim 11, wherein vibration dampeners are positioned on the food processor base.

14. The apparatus of claim 11, wherein the perforated inner bowl comprises an insert extending from the bottom of the inner bowl, and the outer bowl comprises an insert receptacle for receiving the insert.

15. The apparatus of claim 11, wherein a shaft extension connects the drive shaft to the inner perforated bowl.

16. The apparatus of claim 11 in which the speed retarder comprises a removable lip placed between the perforated inner bowl and the outer bowl.

17. The apparatus of claim 11, wherein the outer bowl comprises a drain for draining fluid within the outer bowl.

18. The apparatus of claim 17, further comprising a filter for filtering fluid being drained through the drain in the outer bowl.

19. The apparatus of claim 2 in which the speed retarder comprises centering wheels attached to a centering ring for centering the perforated inner bowl within the outer bowl, the centering ring fitting between the perforated inner bowl and the outer bowl.

20. The apparatus of claim 11 in which the speed retarder comprises centering wheels attached to a centering ring for centering the perforated inner bowl within the outer bowl, the centering ring fitting between the perforated inner bowl and the outer bowl.

21. The apparatus of claim 2 in which the speed retarder comprises centering wheels attached to the outer lid for centering the perforated inner bowl within the outer bowl, the centering wheels fitting between the perforated inner bowl and the outer bowl.

22. The apparatus of claim 11 in which the speed retarder comprises centering wheels attached to the outer lid for centering the perforated inner bowl within the outer bowl, the centering wheels fitting between the perforated inner bowl and the outer bowl.